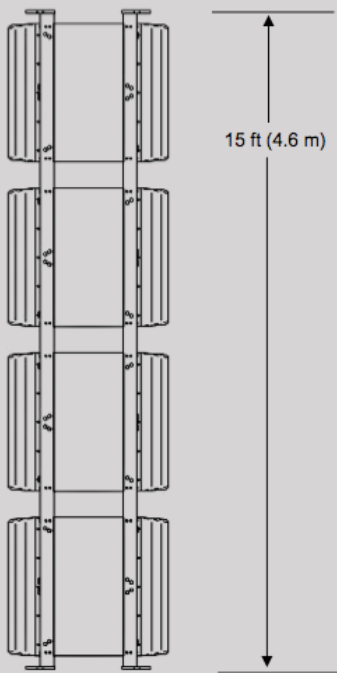
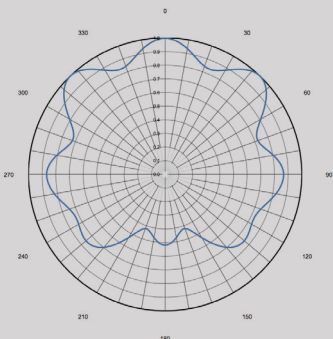


Dielectric's TUM-LP-SP4-4/14M-1 panel antenna is designed for Broadband

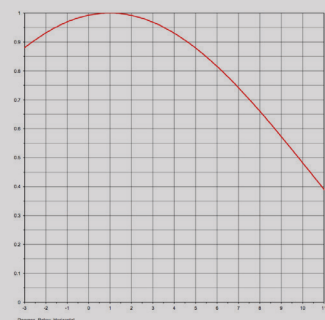
Elliptical Polarization, as a side-mounted Auxiliary Antenna for Pre-or Post-Repacking



Side View of Panel Antenna



Azimuth Directivity 1.64 (Ch. 24)



Elevation Pattern (Ch. 24)

Dielectric Advantages

- Operating Range: 470-692 MHz (14-51)
- Elliptically Polarized, 30% Vertical Polarization
- Omni (omnioid) or Directional
- 10 kW Average Power Rating. Input: 3-1/8" EIA.
- ERP Capable: 100 kW Peak / 60 kW RMS (with 30% Vpol)
- Beam Tilt 1.0 Deg.
- ABS Radome for Environmental Protection
- Includes Full Factory Assembly of Support Spline and Standard Mounting Brackets

Electrical Specifications

Channel	Gain	VSWR	Input	Power Rating
	rms/peak			
14	5.6/9.0	1.1:1	3-1/8, 50 ohm EIA	10 kW Ave
24	6.0/10.0			
36	6.0/10.5			
51	6.0/10.2			

Mechanical Specifications

Model	Height	Weight Wind Area (1)	C/L Radiation
	ft (m)	lbs (kg)-ft² (m²)	ft (m)
TUM-LP-SP4/14M-1	15.0 (4.6)	2400 (1.1)-70.4 (6.5)	7.5 (2.3)

¹ Wind are $C_A C_c$ per TIA/EIA-222-F ($C_A = 1.4$)

Trusted for Decades. Ready for Tomorrow.