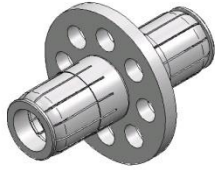


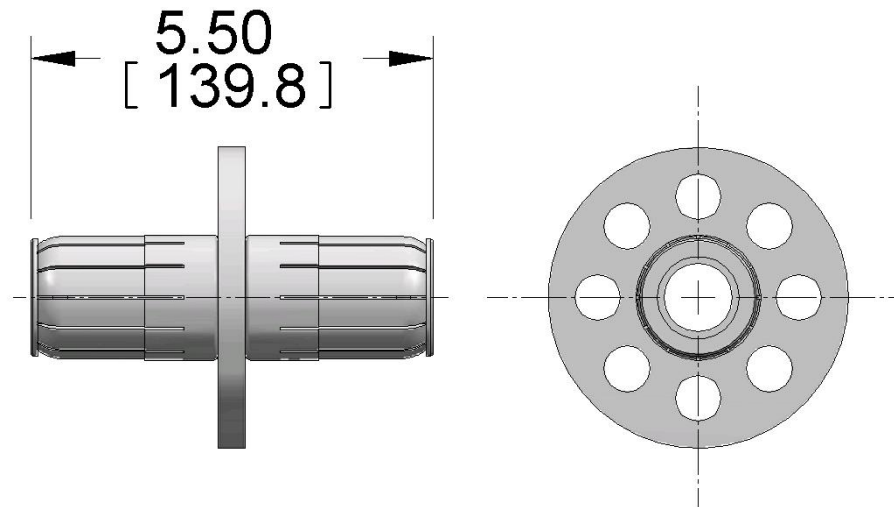
## 4 1/16" Connector Anchor Insulator



- Anchor connector (inner-conductor connector and insulator).

### 90° Mitre Elbows (Unequal Leg)

T/L Size	Catalog Number	Part Number	Impedance in Ohms	Leg Length 1	Leg Length 2	Approx. Wt. [kg]
4 1/16"	475-011	R0018683504	50	2 3/8"	5 3/8"	2 lbs [0.91]



[cm]