



- 90° reinforced elbow, one long and one short leg. Includes one anchor connector, one O-ring and one hardware kit. Swivel flanges.
- 45° elbow, one long and one short leg. Includes one anchor connector, one Oring.

### 90° Mitre Elbows (Unequal Leg)

T/L Size	Catalog Number	Part Number	Impedance in Ohms	Leg Length 1	Leg Length 2	Approx. Wt. [kg]
4 1/16"	475-018	R0023989501	50	6"	12"	18 lbs [8.16]

### 90° Elbow (Unequal Leg) Reinforced

T/L Size	Catalog Number	Part Number	Impedance in Ohms	Leg Length 1	Leg Length 2	Approx. Wt. [kg]
4 1/16"	475-022	R44928	50	6"	12"	20 lbs [9.07]

### 45° Mitre Elbow (Unequal Leg)

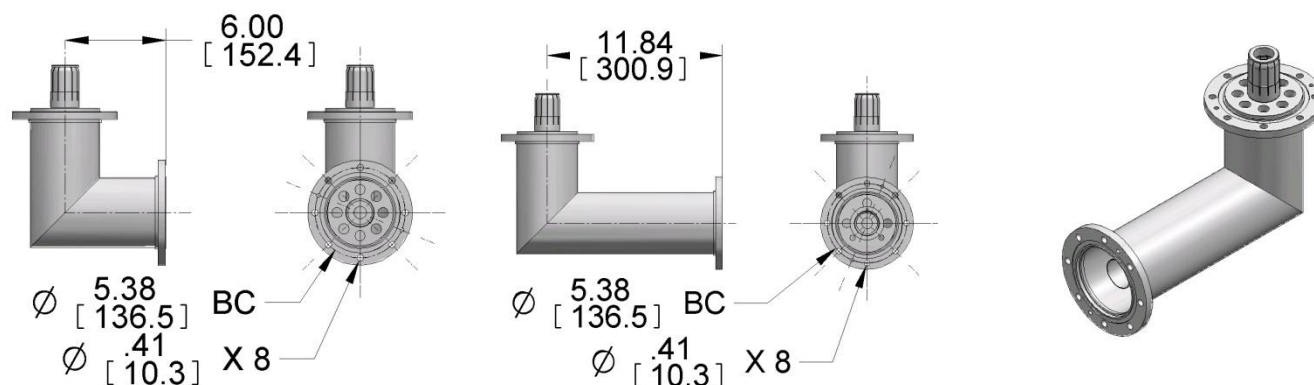
T/L Size	Catalog Number	Part Number	Impedance in Ohms	Leg Length 1	Leg Length 2	Approx. Wt. [kg]
4 1/16"	475-020	R0028941503	50	6"	12"	18 lbs [8.16]

### 90° Mitre Elbow (Equal Leg)

T/L Size	Catalog Number	Part Number	Impedance in Ohms	Leg Length 1	Leg Length 2	Approx. Wt. [kg]
4 1/16"	475-017	R0019581503	50	6"	12"	12 lbs [5.44]

### 90° Mitre Elbow (Equal Leg) Reinforced

T/L Size	Catalog Number	Part Number	Impedance in Ohms	Leg Length 1	Approx. Wt. [kg]
4 1/16"	475-021	R0019581504	50	6"	14 lbs [6.35]



[cm]