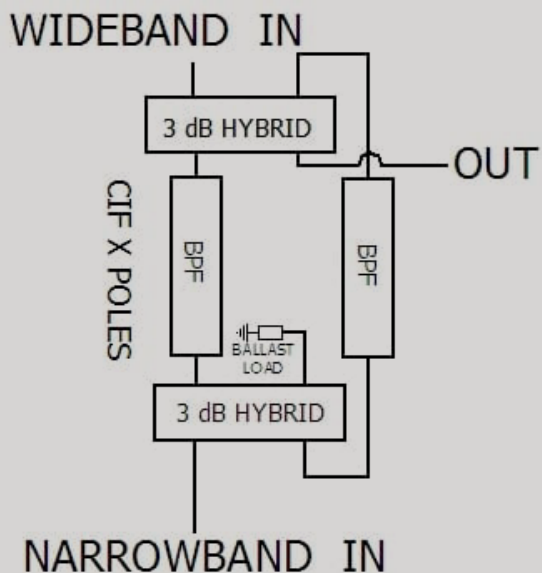


Technical Images



- Suitable for analog and digital TV or mobile media applications.
- Temperature compensated
- Low VSWR
- Dielectric is offering the CIF channel combiner with filters, tuned for mask filter requirements too.
- Floor mounting frame available; please contact factory

Trusted for Decades. Ready for Tomorrow.

Specifications for 6 MHz Standard

Model Number	CU182CN63	CU152CN63	CU112CN63
Total Average Power	15 kW-30 kW-75 kW	15 kW-30 kW-75 kW	15 kW-30 kW-75 kW
Frequency	470 - 494 MHz	494 - 680 MHz	650 - 860 MHz
Channel Spacing	≥ 1	≥ 1	≥ 1
Narrow Band Input			
Average Power Handling ₁	10 kW-20 kW-55 kW	10 kW-20 kW-55 kW	10 kW-20 kW-55 kW
Response Curve	Non Critical	Non Critical	Non Critical
Temperature Compensated	Yes	Yes	Yes
Insertion Loss 6 MHz ATSC			
F0	< 0.3 dB	< 0.3 dB	< 0.3 dB
F0 ±2.69 MHz	< 0.3 dB	< 0.3 dB	< 0.3 dB
F0 ±3.50 MHz	> 0.05 dB	> 0.05 dB	> 0.05 dB
F0 ±4.50 MHz	> 10.3 dB	> 10.3 dB	> 10.3 dB
F0 ±6.00 MHz	> 30 dB	> 30 dB	> 30 dB
F0 ±9.00 MHz	> 63 dB	> 64 dB	> 64 dB
Group Delay Variation ₃	< 150 ns over passband	< 150 ns over passband	< 150 ns over passband
Connector	3-1/8" EIA/ 4-1/16" FLG/ WR1800	3-1/8" EIA/ 4-1/16" FLG/ WR1500	3-1/8" EIA/ 4-1/16" FLG/ WR1150
Wide Band Input			
Average Power Handling _{1,3}	5 kW-10 kW, 20 kW	5 kW-10 kW, 20 kW	5 kW-10 kW, 20 kW
Insertion Loss	≤ 0.1 dB	≤ 0.1 dB	≤ 0.1 dB
Group Delay Variation ₂	< 10 ns over passband	< 10 ns over passband	< 10 ns over passband
Connector	3-1/8" EIA/ WR 1800	3-1/8" EIA/ WR 1500	3-1/8" EIA/ WR 1150
Output Connector	3-1/8" EIA/ 4-1/16" FLG/ WR 1800	3-1/8" EIA/ 4-1/16" FLG/ WR 1500	3-1/8" EIA/ 4-1/16" FLG/ WR 1150
Isolation Between Inputs			
NB to WB	≥ 35 dB	≥ 35 dB	≥ 35 dB
WB to NB	≥ 50 dB	≥ 50 dB	≥ 50 dB
VSWR	< 1.06	< 1.06	< 1.06
Material	Invar	Invar	Invar
Hybrids Type	WR	WR	WR
Number of Poles	6	6	6
Temperature Stability	< 50 kHz shift over temp. range	< 50 kHz shift over temp. range	< 50 kHz shift over temp. range
Blowers & Shrouds	Yes, P > 20 kW	Yes, P > 20 kW	Yes, P > 20 kW
Ambient Temperature	32°F (0°C) to 113°F (45°C)	32°F (0°C) to 113°F (45°C)	32°F (0°C) to 113°F (45°C)
Storage Temperature	32°F (0°C) to 122°F (50°C)	32°F (0°C) to 122°F (50°C)	32°F (0°C) to 122°F (50°C)
Ambient/ Storage Humidity	0-98% non condensing	0-98% non condensing	0-98% non condensing
Dimensions (L x W x H)	202" x 56" x 31" (5.1m x 1.4m x 0.78m)	197" x 48" x 28" (5.0m x 1.2m x 0.7m)	163" x 42" x 26" (4.1m x 1.0m x 0.67m)
Weight	1000 lbs (454 kg)	875 lbs (397 kg)	750 lbs (340 kg)
Max Altitude ₄	10,000 feet (3,050m)	10,000 feet (3,050m)	10,000 feet (3,050m)
Application	ATV/DTV	ATV/DTV	ATV/DTV