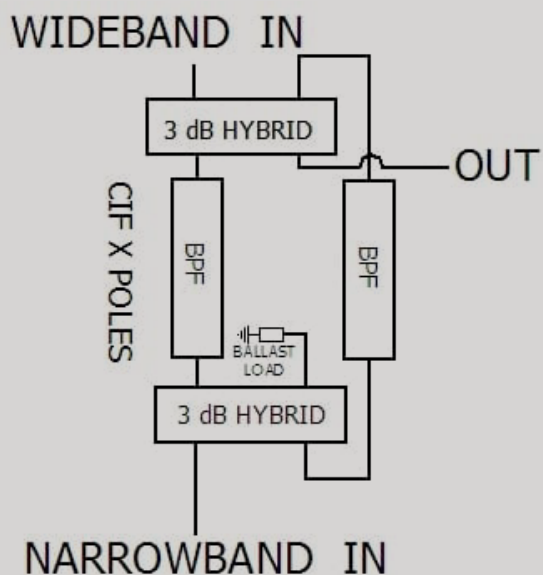


## Technical Images



- Suitable for analog and digital TV or mobile media applications.
- Temperature compensated
- Low VSWR
- Dielectric is offering the CIF channel combiner with filters, tuned for mask filter requirements too.
- Floor mounting frame available; please contact factory

Trusted for Decades. Ready for Tomorrow.

## Specifications

Model Number	CU182CC83	CU152C83	CU112CC83
Total Average Power	15 kW-30 kW-75 kW	15 kW-30 kW-75 kW	15 kW-30 kW-75 kW
Frequency	470 - 494 MHz	494 - 680 MHz	650 - 860 MHz
Channel Spacing	≥ 0	≥ 0	≥ 0
Narrow Band Input			
Average Power Handling <sub>1</sub>	10 kW-20 kW-55 kW	10 kW-20 kW-55 kW	10 kW-20 kW-55 kW
Response Curve	Critical (Full Mask)	Critical (Full Mask)	Critical (Full Mask)
Temperature Compensated	Yes	Yes	Yes
Insertion Loss 6 MHz ATSC			
F0	< 0.3 dB	< 0.3 dB	< 0.3 dB
F0 ±2.69 MHz	< 0.7 dB	< 0.7 dB	< 0.7 dB
F0 ±3.00 MHz	< 2.7 dB	< 2.7 dB	< 2.7 dB
F0 ±3.25 MHz	> 18 dB	> 18 dB	> 18 dB
F0 ±9.00 MHz	> 64 dB	> 64 dB	>64 dB
Group Delay Variation <sub>3</sub>	< 400 ns over passband	< 400 ns over passband	< 400 ns over passband
Connector	3-1/8" EIA/ 4-1/16" FLG/ WR1800	3-1/8" EIA/ 4-1/16" FLG/ WR1500	3-1/8" EIA/ 4-1/16" FLG/ WR1150
Wide Band Input	3-1/8" EIA/ 4-1/16" FLG/ WR1800	3-1/8" EIA/ 4-1/16" FLG/ WR1500	3-1/8" EIA/ 4-1/16" FLG/ WR1150
Average Power Handling <sub>1,3</sub>	5 kW-10 kW- 20 kW	5 kW-10 kW- 20 kW	5 kW-10 kW- 20 kW
Insertion Loss	≤ 0.1 dB	≤ 0.1 dB	≤ 0.1 dB
Group Delay Variation <sub>2</sub>	< 400 ns over passband	< 400 ns over passband	< 400 ns over passband
Connector	3-1/8" EIA/ WR 1800	3-1/8" EIA/ WR 1500	3-1/8" EIA/ WR 1150
Output Connector	3-1/8" EIA/ 4-1/16" FLG/ WR 1800	3-1/8" EIA/ 4-1/16" FLG/ WR 1500	3-1/8" EIA/ 4-1/16" FLG/ WR 1150
NB to WB	≥ 35 dB	≥ 35 dB	≥ 35 dB
WB to NB	≥ 50 dB	≥ 50 dB	≥ 50 dB
VSWR	< 1.06	< 1.06	< 1.06
Material	Invar	Invar	Invar
Hybrids Type	WR	WR	WR
Number of Poles	8	8	8
Temperature Stability	< 50 kHz shift over temp. range	< 50 kHz shift over temp. range	< 50 kHz shift over temp. range
Blowers & Shrouds	Yes, P > 20 kW	Yes, P > 20 kW	Yes, P > 20 kW
Ambient Temperature	32°F (0°C) to 113°F (45°C)	32°F (0°C) to 113°F (45°C)	32°F (0°C) to 113°F (45°C)
Storage Temperature	32°F (0°C) to 122°F (50°C)	32°F (0°C) to 122°F (50°C)	32°F (0°C) to 122°F (50°C)
Ambient/ Storage Humidity	0-98% non condensing	0-98% non condensing	0-98% non condensing
Dimensions ( L x W x H)	189" x 56" x 36" (4.8m x 1.4m x 0.9m)	227" x 58" x 33" (5.8m x 1.2m x 0.8m)	188" x 42" x 31" (4.8m x 1.0m x 0.8m)
Weight	1300 lbs (590 kg)	1175 lbs (533 kg)	1050 lbs (476 kg)
Max Altitude <sub>4</sub>	10,000 feet (3,050m)	10,000 feet (3,050m)	10,000 feet (3,050m)
Application	ATV/DTV	ATV/DTV	ATV/DTV

**Trusted for Decades. Ready for Tomorrow.**