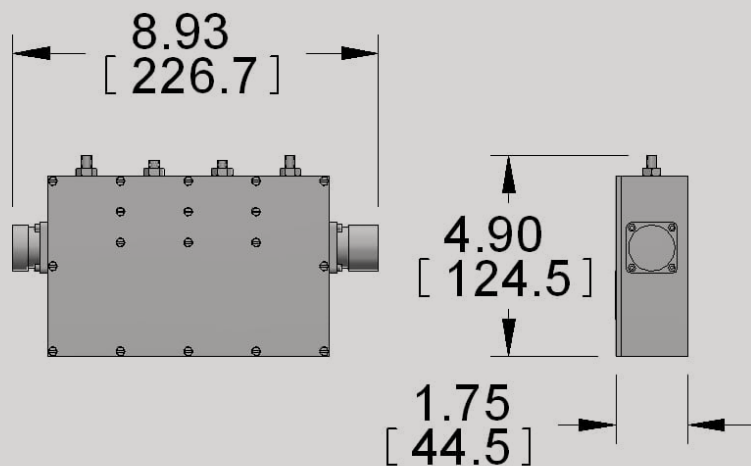


Key Features:

- Suitable for analog TV, digital TV
- Indoor applications
- Low insertion loss figures
- High rejection of the harmonic products



Trusted for Decades. Ready for Tomorrow.

Typical Specifications for 6 MHz TV Standard

PARAMETER	SPEC	
Model Number	HURN-716	HUC1
Frequency	554-806 MHz	470-806 MHz
Average Power Handling	≤1.5 kW	≤3 kW
VSWR	<1.08	<1.04
Insertion Loss	≤0.1 dB	≤0.1 dB
Rejection		
2nd Order	> 75 dB	> 40 dB
3rd Order	> 45 dB	> 40 dB
Impedance	50 ohms	50 ohms
Connectors "N" Female	7 1/16" DIN	1 5/8" EIA
Ambient Temp.	5°F (-15°C) to 113°F (45°C)	5°F (-15°C) to 113°F (45°C)
Storage Temp.	32°F (0°C) to 122°F (50°C)	32°F (0°C) to 122°F (50°C)
Ambient/ Storage Humidity	0-98% non condensing	
Material	Cu-outer, Silver-plated inner	Cu-outer, Silver-plated inner
Dimensions (L)	7"x4"x1.75" 21"	7"x4"x1.75" 21"
Weight	2 lbs	4 lbs
Max Altitude	10,000 feet (3,050 m)	
Application	ATV/DTV/MM	

Trusted for Decades. Ready for Tomorrow.

22 Tower Rd., Raymond, ME 04071 USA • 1-800-341-9678 • Dielectric.com