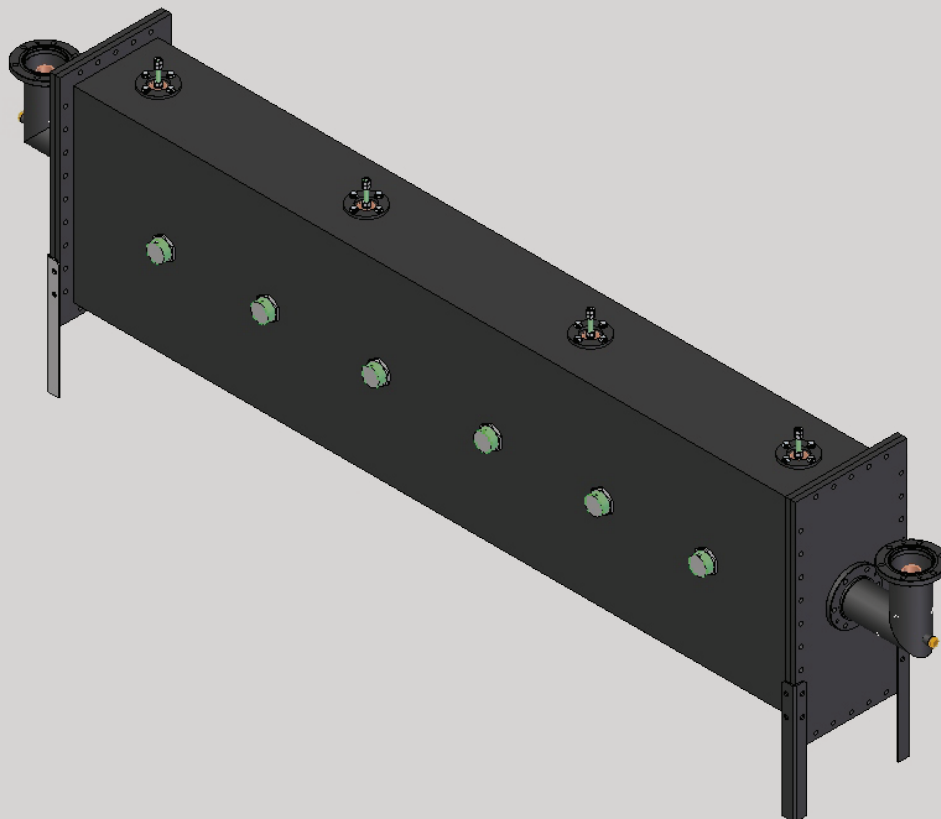


Dielectric®

Standard 15kW, 25kW
L-VHF DTV Bandpass
Filter Non Critical,
Combiner Filter



Trusted for Decades. Ready for Tomorrow.

22 Tower Rd., Raymond, ME 04071 USA • 1-800-341-9678 • Dielectric.com

Model Number	CIF-VF6E15F
Frequency	54 - 88 MHz
Average Power Handling ₁	≤15 kW - 25 kW
Type	CIF
Response Curve	Non Critical (Full Mask)
Temperature Compensated	Yes
VSWR	<1.06
Max. Altitude ₂	10,000 feet (3,050m)
Attenuation 6 MHz ATSC	
F0	<0.2 dB
F0 ± 2.69 MHz	<0.35 dB
F0 ±3.00 MHz	N/A
F0±3.25 MHz	N/A
F0 ±3.50 MHz	>0.05 dB
F0 ± 4.50 MHz	>11.6 dB
F0 ± 6.00 MHz	>30 dB
F0 ± 9.00 MHz	>64 dB
Number of Poles	6
Group Delay Variation	<150 nS over passband
Hybrids	Coaxial
Connectors	1-5/8" EIA/ 3-1/8" EIA
Temperature Stability	≈10 kHz/ °F
Blowers & Shrouds	No
Ambient Temperature	68°F (20°C) to 95°F (35°C)
Storage Temperature	32°F (0°C) to 122°F (50°C)
Ambient/ Storage Humidity	0-98% non condensing
Material	Al with Invar rods
Dimensions (L x W x H)	64" x 60" x 70"
Weight	1155 lbs
Applications	ATV/DTV