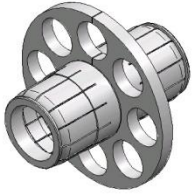
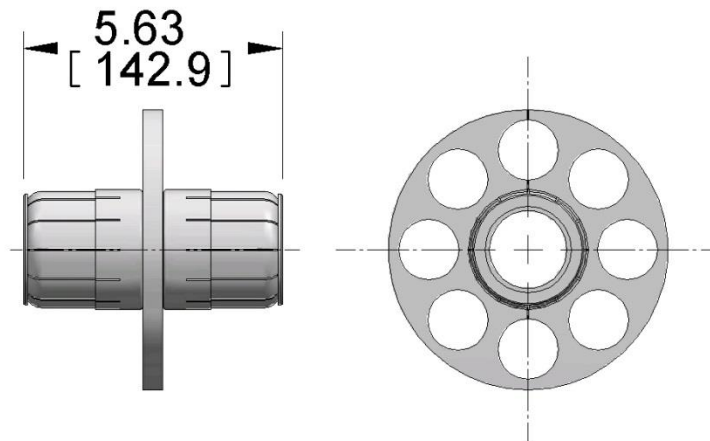


6 1/8" 75 Ohms Connector Anchor Insulator



- Anchor connector (inner-conductor connector and insulator).

T/L Size	Catalog Number	Part Number	Impedance in Ohms	Length 1	Length 2 Ref.	Approx. Wt. [kg]
6 1/8"	677-011	R0018135501	75	2 3/8"	5 3/8"	2 lbs [0.91]



[cm]