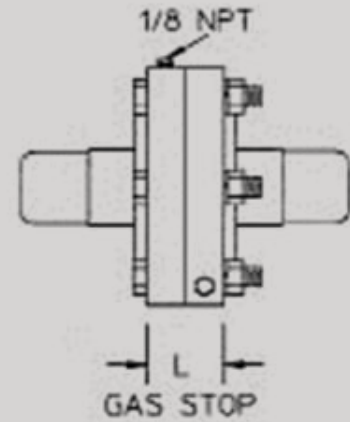


Gas stop for nominal pressure differential. Installs between two flanged line sections. Includes inner-conductor connector, one O-ring and complete hardware (long bolts).



T/L SIZE	Catalog Number Ohms	Impedance in Ohms	L	Approx. Wt.
6 1/8"	677-005	75	2.00"	18 lbs

Trusted for Decades. Ready for Tomorrow.