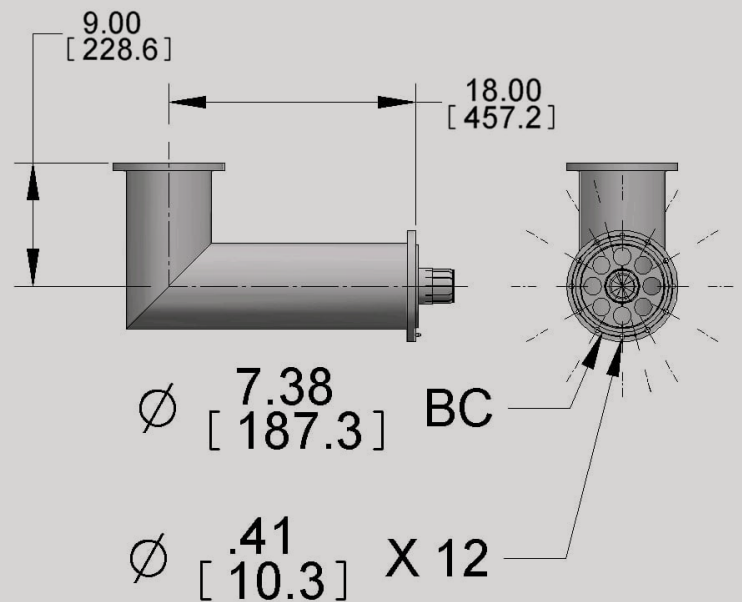


90° reinforced elbow, one long and one short leg. Includes one anchor connector, one O-ring and one hardware kit. Swivel flanges

45° elbow, one long and one short leg. Includes one anchor connector, one O-ring and one hardware kit. Swivel flanges.



**Trusted for Decades. Ready for Tomorrow.**

**90° Elbow (Unequal Leg)**

<b>T/L SIZE</b>	<b>Catalog Number</b>	<b>Impedance in Ohms</b>	<b>L1</b>	<b>L2</b>	<b>Approx. Wt.</b>
6 1/8"	677-018	75	9"	18"	26 lbs

**90° Mitre Elbows (Unequal Leg) Reinforced**

<b>T/L SIZE</b>	<b>Catalog Number</b>	<b>Impedance in Ohms</b>	<b>L1</b>	<b>L2</b>	<b>Approx. Wt.</b>
6 1/8"	677-022	75	9"	18"	27 lbs

**45° Mitre Elbows (Unequal Leg)**

<b>T/L SIZE</b>	<b>Catalog Number</b>	<b>Impedance in Ohms</b>	<b>L1</b>	<b>L2</b>	<b>Approx. Wt.</b>
6 1/8"	677-020	75	9"	12"	31 lbs

**90° Mitre Elbows (Equal Leg)**

<b>T/L SIZE</b>	<b>Catalog Number</b>	<b>Impedance in Ohms</b>	<b>L</b>	<b>Approx. Wt.</b>
6 1/8"	667-017	75	9"	28 lbs

**90° Mitre Elbows (Equal Leg) Reinforced**

<b>T/L SIZE</b>	<b>Catalog Number</b>	<b>Impedance in Ohms</b>	<b>L</b>	<b>Approx. Wt.</b>
6 1/8"	677-021	75	9"	29 lbs