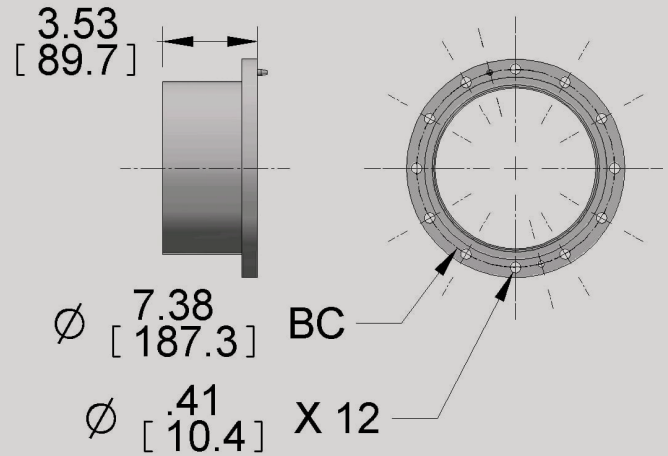


Flange for field installation by soft soldering. Includes solder, liquid flux, brush, garnet paper and cleaner



T/L SIZE	Catalog Number	Ohms	L1	L2	L3	L4	Approx. Wt.
6 1/8"	670-014	75	3.53"	1.22"+0.03/-0.0	0.84"+0.03/-0.0		7 lbs

Trusted for Decades. Ready for Tomorrow.