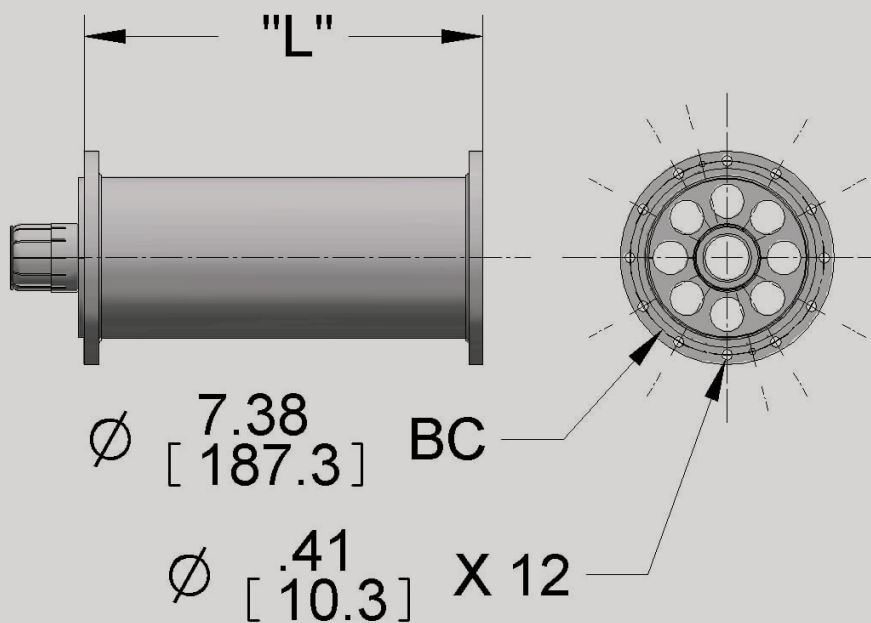


Transmission line with flanges on both ends. Includes one anchor connector, one O-ring and one hardware kit.



Trusted for Decades. Ready for Tomorrow.

With Expansion Inner Conductor

T/L SIZE	Catalog Number	Impedance in Ohms	L	Approx. Wt.
6 1/8"	677-004	75	20'	145 lbs
6 1/8"	677-003	75	19.5'	135 lbs

Without Expansion Compensation

T/L SIZE	Catalog Number	Impedance in Ohms	L	Approx. Wt.
6 1/8"	677-002	75	20'	140 lbs
6 1/8"	677-001	75	19.5'	130 lbs