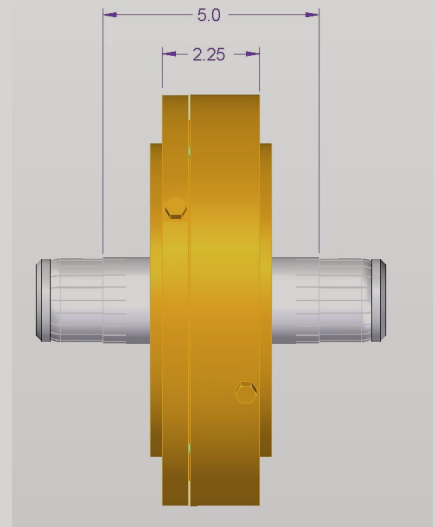


Gas stop for nominal pressure differential. Installs between two flanged line sections. Includes inner-conductor connector, one O-ring and complete hardware (long bolts).



T/L SIZE	Catalog Number	Impedance in Ohms	Length	Approx. Wt.
7 3/16"	777-005	75	2.225"	22 lbs

Trusted for Decades. Ready for Tomorrow.