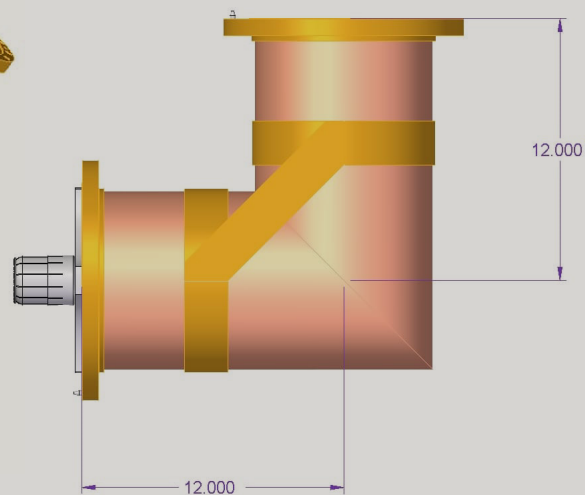
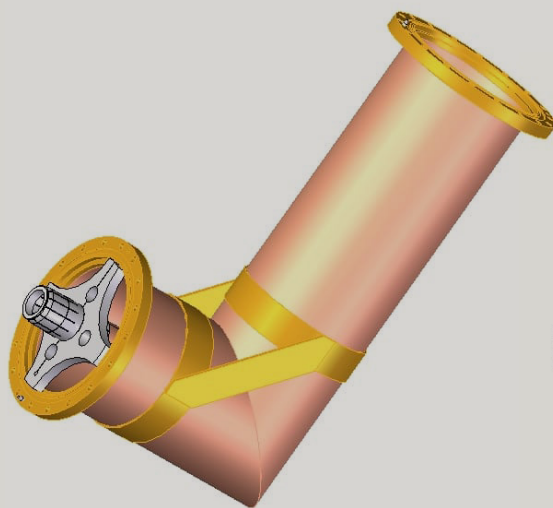
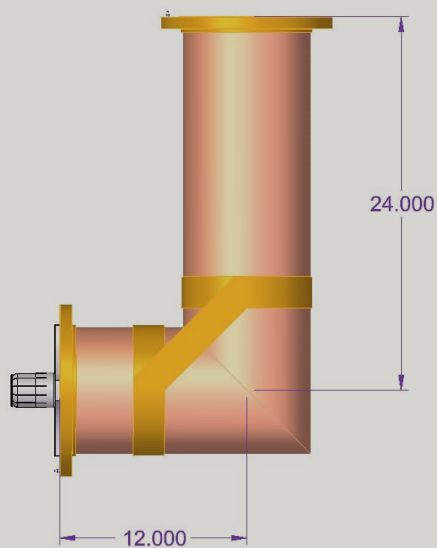


90° reinforced elbow, one long and one short leg. Includes one anchor connector, one O-ring and one hardware kit. Swivel flanges.

45° elbow, one long and one short leg. Includes one anchor connector, one O-ring and one hardware kit. Swivel flanges.



**Trusted for Decades. Ready for Tomorrow.**

**90° Mitre Elbow (Unequal Leg)**

| T/L SIZE | Catalog Number | Part Number | Impedance in Ohms | Length 1 | Length 2 | Approx. Wt. (kg) |
|----------|----------------|-------------|-------------------|----------|----------|------------------|
| 8 3/16"  | 877-018        | R00722665xx | 75                | 12"      | 24"      | 50 lbs (22.68)   |

**90° Elbow (Unequal Leg) Reinforced**

| T/L SIZE | Catalog Number | Part Number | Impedance in Ohms | Length 1 | Length 2 | Approx. Wt. (kg) |
|----------|----------------|-------------|-------------------|----------|----------|------------------|
| 8 3/16"  | 877-022        | R00722666xx | 75                | 12"      | 24"      | 55 lbs (24.95)   |

**90° Mitre Elbow (Equal Leg)**

| T/L SIZE | Catalog Number | Part Number | Impedance in Ohms | Length | Approx. Wt. (kg) |
|----------|----------------|-------------|-------------------|--------|------------------|
| 8 3/16"  | 877-017        | R00722661xx | 75                | 9"     | 40 lbs (18.14)   |

**90° Mitre Elbow (Unequal Leg) Reinforced**

| T/L SIZE | Catalog Number | Part Number | Impedance in Ohms | Length | Approx. Wt. (kg) |
|----------|----------------|-------------|-------------------|--------|------------------|
| 8 3/16"  | 877-021        | R00722662xx | 75                | 12"    | 45 lbs (20.41)   |