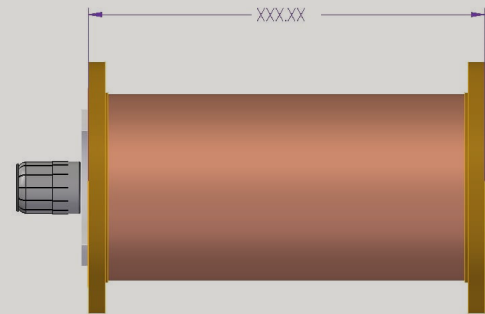


Transmission line with flanges on both ends. Includes one anchor connector, one O-ring and one hardware kit.



With Expansion Inner Conductor

T/L SIZE	Catalog Number	Impedance in Ohms	Length	Approx. Wt.
8 3/16"	877-004	75	20'	216 lbs
8 3/16"	877-003	75	19.5'	202 lbs

Without Expansion Compensation

T/L SIZE	Catalog Number	Impedance in Ohms	Length	Approx. Wt.
8 3/16"	877-002	75	20'	192 lbs
8 3/16"	877-001	75	19.5'	186 lbs

Trusted for Decades. Ready for Tomorrow.