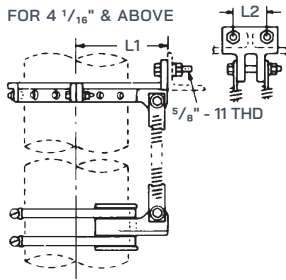


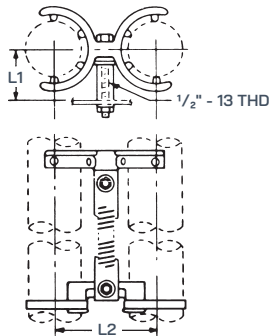
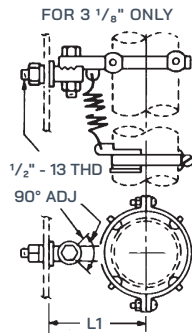
**Quality Hangers & Accessories**

The materials for all components of hangers and kits are carefully selected to resist deterioration from heat, cold, humidity, or other weather conditions as well as unusual corrosive atmospheric contaminants, such as exist in industrial or coastal areas. Such material as bronze and brass castings and stainless steel springs and hardware are typical.



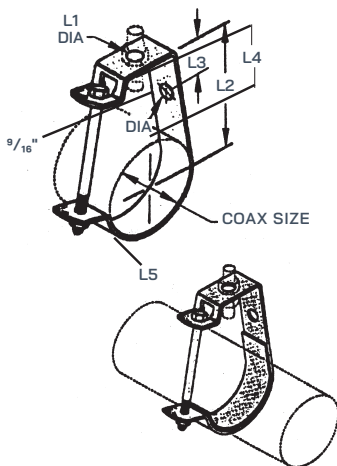
**Single Vertical Expansion**

T/L Size	Catalog Number	L1	L2	Approx. Weight
3 1/8"	370-036	5"		3 lbs
4 1/16"	470-036	5 3/4"	2 3/8"	7 lbs
6 1/8"	670-036	6 7/8"	2 3/8"	19 lbs
7 3/16"	770-036	7.5"	3"	22 lbs
8 3/16"	870-039	8"	3"	25 lbs
9 3/16"	970-039	8"	3"	26 lbs



**Dual Vertical Expansion**

T/L Size	Catalog Number	L1	L2	Approx. Weight
3 1/8"	370-037	3 1/8"	5 1/2"	6 lbs



**Ceiling Hanger Kit**

T/L Size	Catalog Number	L1	L2	L3	L4	L5
3 1/8"	DC 370-050	9/16"	4 7/8"	1 1/8"	2 1/2"	3/8" - 16 x 5"
4 1/16"	DC 470-050	11/16"	6 1/8"	1 1/8"	3 1/8"	3/8" - 16 x 6 1/2"
6 1/8"	DC 670-050	13/16"	7 3/4"	1 1/4"	3 1/2"	3/8" - 16 x 8 1/2"
7 3/16"	DC 770-050	15/16"	9 1/4"	1 1/4"	3 7/8"	3/8" - 16 x 10 1/2"
8 3/16"	DC 870-050	15/16"	9 1/4"	1 1/4"	3 7/8"	3/8" - 16 x 10 1/2"