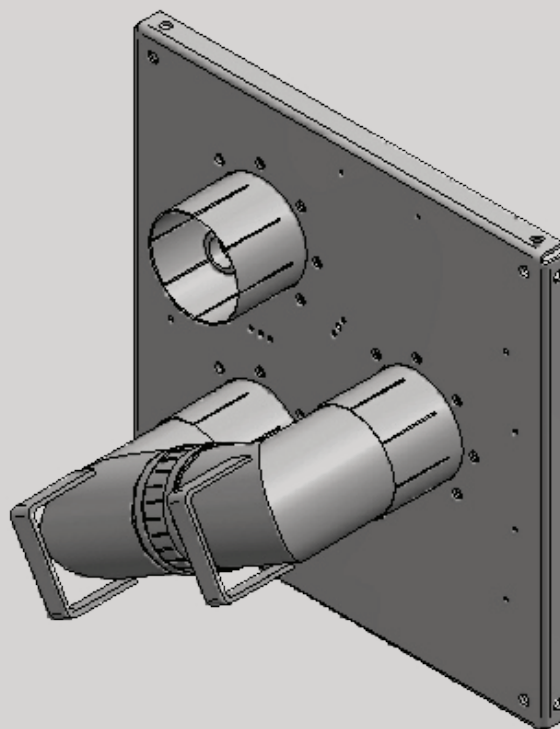


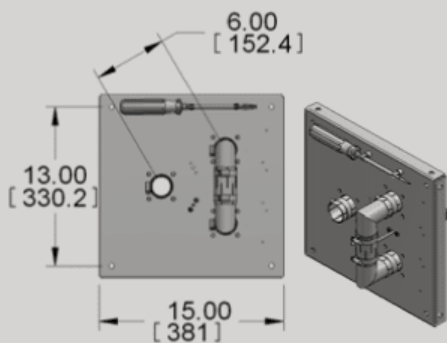
### Key Features:

- Low insertion loss
- Low VSWR
- Indoor applications
- Manual switching with U-link
- DPDT interlocks for customer's RF interlocking

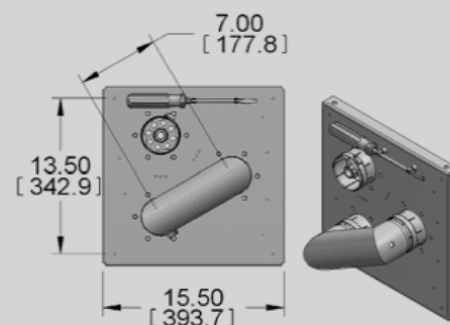
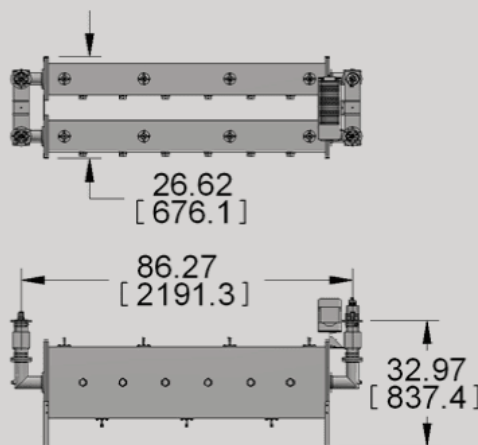


### Notes

- 1) For more than 5,000 feet (1,524 m), please contact the factory.
- 2) Patch panels must not be exposed to condensing moisture environments.
- 3) 104&deg;F (+40&deg;C) ambient temperature, 145&deg;F (63&deg;C) outer temperature, 248&deg;F (120&deg;C) inner temperature sea level, 0 PSIG, VSWR=1.0



DC 285-431



DC 385-431

Trusted for Decades. Ready for Tomorrow.

PARAMETER	SPEC		
Model Number	DC 285-431	DC 385-431	DC 485-431
Input/Output connectors	1-5/8" EIA	3-1/8" EIA	4-1/16" FLG
Impedance	50 ohms	50 ohms	50 ohms
Frequency Range	0-860 MHz	0-860 MHz	0-860 MHz
Peak Voltage at Sea Level	4 kV	7.8 kV	11 kV
Max. Altitude	10,000 feet (3,050 m)	10,000 feet (3,050 m)	10,000 feet (3,050 m)
Ambient Temperature	32°F (0°C) to 113°F (45°C)	32°F (0°C) to 113°F (45°C)	32°F (0°C) to 113°F (45°C)
Storage Temperature	32°F (0°C) to 122°F (50°C)	32°F (0°C) to 122°F (50°C)	32°F (0°C) to 113°F (45°C)
Storage/Ambient Humidity	0-98% non condensing	0-98% non condensing	0-98% non condensing
Average Power			
108 MHz	≤ 15 kW	≤ 50 kW	≤ 80 kW
230 MHz	≤ 10 kW	≤ 35 kW	≤ 57.8 kW
860 MHz	≤ 5.4 kW	≤ 18 kW	≤ 28.7 kW
Insertion Loss	≤ 0.1 dB	≤ 0.1 dB	≤ 0.1 dB
VSWR	≤ 1.05	≤ 1.05	≤ 1.05
U-link	1 of 1-5/8"	1 of 3-1/8"	1 of 4-1/16"
Number of Interlock Contacts	3	3	3
Loading of Internal Contacts			
Operating Voltage	≤125 V AC	≤125 V AC	≤125 V AC
Operating Current	≤ 8 A	≤ 8 A	≤ 8 A
Weight (with U-link)	40 lbs (18.2 kg)	65 lbs (29.5 kg)	105 lbs (47.7 kg)

**Trusted for Decades. Ready for Tomorrow.**

22 Tower Rd., Raymond, ME 04071 USA • 1-800-341-9678 • Dielectric.com