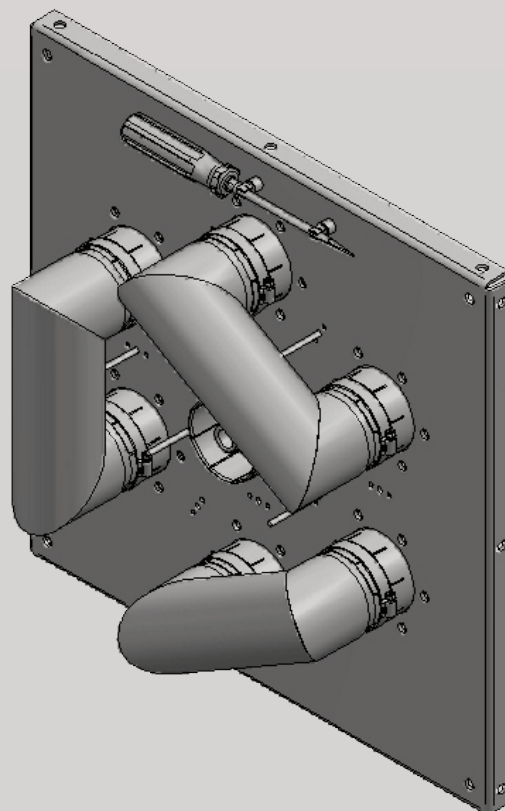


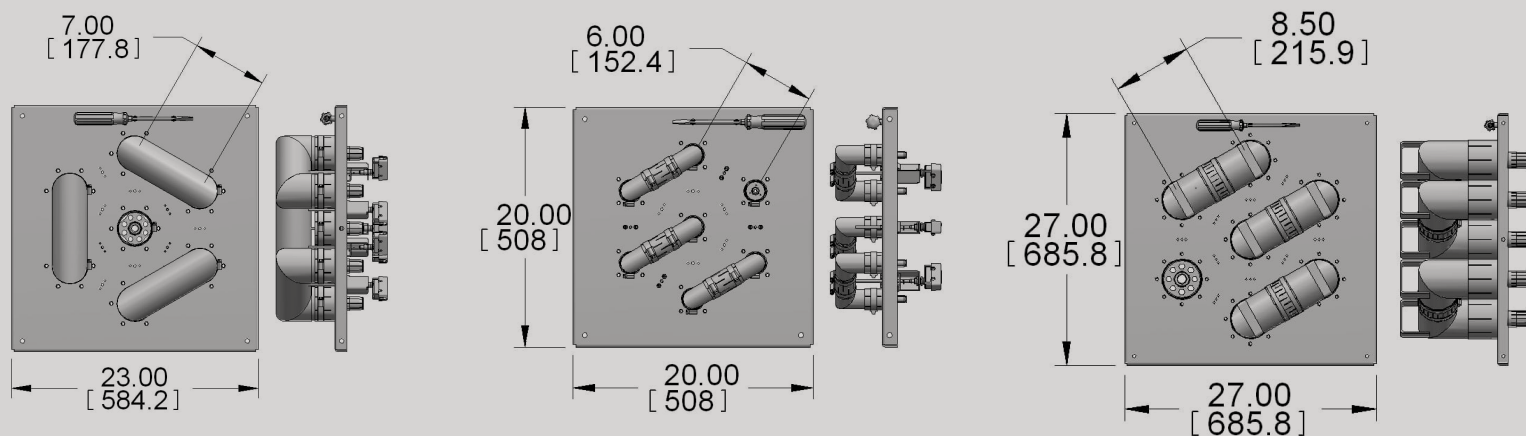
Key Features:

- Low insertion loss
- Low VSWR
- Indoor applications
- Manual switching with U-link
- DPDT interlocks for customer's RF interlocking



Notes

- 1) For more than 5,000 feet (1,524 m), please contact the factory.
- 2) Patch panels must not be exposed to condensing moisture environments.
- 3) 104°F (+40°C) ambient temperature, 145°F (63°C) outer temperature, 248°F (120°C) inner temperature sea level, 0 PSIG, VSWR=1.0



Trusted for Decades. Ready for Tomorrow.

PARAMETER	SPEC		
Model Number	DC 285-471	DC 385-471	DC 485-471
Input/Output connectors	1-5/8" EIA	3-1/8" EIA	4-1/16" FLG
Impedance	50 ohms	50 ohms	50 ohms
Frequency Range	0-860 MHz	0-860 MHz	0-860 MHz
Peak Voltage at Sea Level	4 kV	7.8 kV	11 kV
Max. Altitude	0-98% non condensing	10,000 feet (3,050 m)	0-98% non condensing
Ambient Temperature	0-98% non condensing	32°F (0°C) to 113°F (45°C)	
Storage Temperature	0-98% non condensing	32°F (0°C) to 122°F (50°C)	
Storage/Ambient Humidity	0-98% non condensing	0-98% non condensing	0-98% non condensing
Average Power			
108 MHz	≤ 15 kW	≤ 50 kW	≤ 80 kW
230 MHz	≤ 10 kW	≤ 35 kW	≤ 57.8 kW
860 MHz	≤ 5.4 kW	≤ 18 kW	≤ 28.7 kW
Insertion Loss	≤ 0.1 dB	≤ 0.1 dB	≤ 0.1 dB
VSWR	≤ 1.05	≤ 1.05	≤ 1.05
U-link	2 of 1-5/8"	2 of 3-1/8"	2 of 4-1/16"
Number of Interlock Contacts	11	11	11
Loading of Internal Contacts			
Operating Voltage	≤125 V AC	≤125 V AC	
Operating Current	< 8 A	< 8 A	
Weight (with U-link)	85 lbs (38.6 kg)	165 lbs (75 kg)	

Trusted for Decades. Ready for Tomorrow.

22 Tower Rd., Raymond, ME 04071 USA • 1-800-341-9678 • Dielectric.com