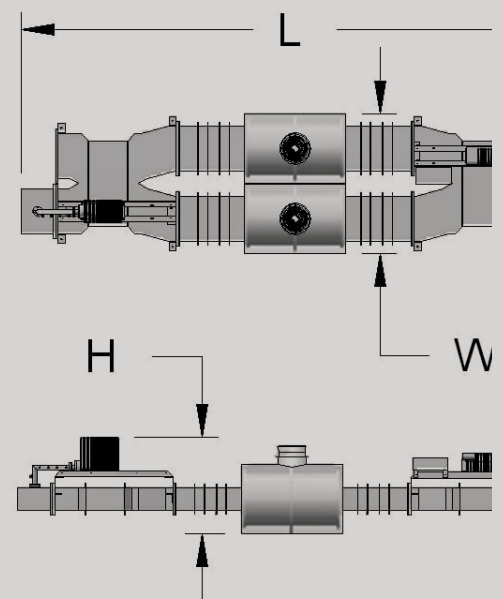
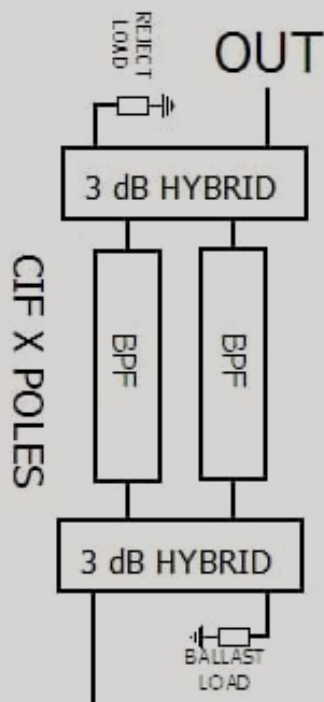


## Key Features:

- Suitable for analog and digital TV or mobile media applications
- Low VSWR
- Temperature compensated
- Dielectric is offering the CIF-channel combiner with filters, tuned for mask filter requirements too



CH1 IN

Trusted for Decades. Ready for Tomorrow.

Typical Specifications for 6 MHz TV Standard

| Model Number                        | CIF-UF8E18C  | CIF-UF8E15C  | CIF-UF8E11C  |
|-------------------------------------|--|--|--|
| Frequency                           | 470-494 MHz  | 494-650 MHz  | 650-860 MHz  |
| Average Handling Power <sub>1</sub> | 7-15-25-75 kW                                      | 7-15-25-75 kW                                      | 7-15-25-75 kW                                      |
| Type                                | CIF  | CIF  | CIF  |
| Response Curve                      | Critical (Ful Mask)                                | Critical (Full Mask)                               | Critical (Full Mask)                               |
| Temperature Compensated             | Yes  | Yes  | Yes  |
| VSWR                                | <1.06  | <1.06  | <1.06  |
| Max. Altitude <sub>2</sub>          | 10,000 feet (3,050m)                               | 10,000 feet (3,050m)                               | 10,000 feet (3,050m)                               |
| Attenuation                         | 6 MHz ATSC   | 6 MHz ATSC   | 6 MHz ATSC   |
| F0                                  | <0.3 dB  | <0.3 dB  | <0.3 dB  |
| F0 ±2.69 MHz                        | <0.7 dB  | <0.7 dB  | <0.7 dB  |
| F0 ±3.00 MHz                        | <2.7 dB  | <2.7 dB  | <2.7 dB  |
| F0 ±3.25 MHz                        | >18 dB   | >18 dB   | >18 dB   |
| F0 ±3.50 MHz                        | N/A  | N/A  | N/A  |
| F0 ±4.50 MHz                        | N/A  | N/A  | N/A  |
| F0 ±6.00 MHz                        | N/A  | N/A  | N/A  |
| F0 ±9.00 MHz                        | >64 dB   | >64 dB   | >64 dB   |
| Number of Poles                     | 8  | 8  | 8  |
| Group Delay Variation               | <400 nS over passband                              | <400 nS over passband                              | <400 nS over passband                              |
| Hybrids                             | WR   | WR   | WR   |
| Connectors                          | 3-1/8" EIA / 3-1/8" EIA /<br>4-1/16" FLG / WR 1800 | 3-1/8" EIA / 3-1/8" EIA /<br>4-1/16" FLG / WR 1500 | 3-1/8" EIA / 3-1/8" EIA /<br>4-1/16" FLG / WR 1500 |
| Temperature Stability               | <50 kHz shift over<br>temperature range            | <50 kHz shift over<br>temperature range            | <50 kHz shift over<br>temperature range            |
| Blowers & Shrouds                   | Yes, P > 20 kW                                     | Yes, P > 20 kW                                     | Yes, P > 20 kW                                     |
| Ambient Temperature                 | 32°F (0°C) to 113°F (45°C)                         | 32°F (0°C) to 113°F (45°C)                         | 32°F (0°C) to 113°F (45°C)                         |
| Storage Temperature                 | 32°F (0°C) to 122°F (50°C)                         | 32°F (0°C) to 122°F (50°C)                         | 32°F (0°C) to 122°F (50°C)                         |
| Ambient/ Storage Humidity           | 0-98% non condensing                               | 0-98% non condensing                               | 0-98% non condensing                               |
| Material                            | Invar  | Invar  | Invar  |
| Dimensions <sub>3</sub> (L x W x H) | 189" x 56" x 36"<br>(4.8m x 1.4m x 0.9m)           | 227" x 48" x 33"<br>(5.8m x 1.2m 0.8m)             | 188" x 142" x 31"<br>(4.8m x 1.0m x 0.8m)          |
| Weight <sub>4</sub>                 | 1300 lbs (590 kg)                                  | 1175 lbs (533 kg)                                  | 1050 lbs (476 kg)                                  |
| Applications                        | ATV/DTV  | ATV/DTV  | ATV/DTV  |