

# POWERLITE™ TFU-UT BOWTIE SLOT TURNSTILE ANTENNA



Dielectric's TFU-UT Series turnstile antenna is designed for broadband omnidirectional horizontally polarized operation. The TFU-UT features a simple feed system and durable construction.

## Dielectric Advantages

- Operating Range: 470-728 MHz
- Horizontally polarized
- Economical broadband design
- Self-supporting
- Can be side- or top-mounted on tower
- 7-16 DIN input 1000 W average power rating
- Low VSWR
- Aluminum construction
- ABS radome for environmental protection
- Side-mount applications are available.

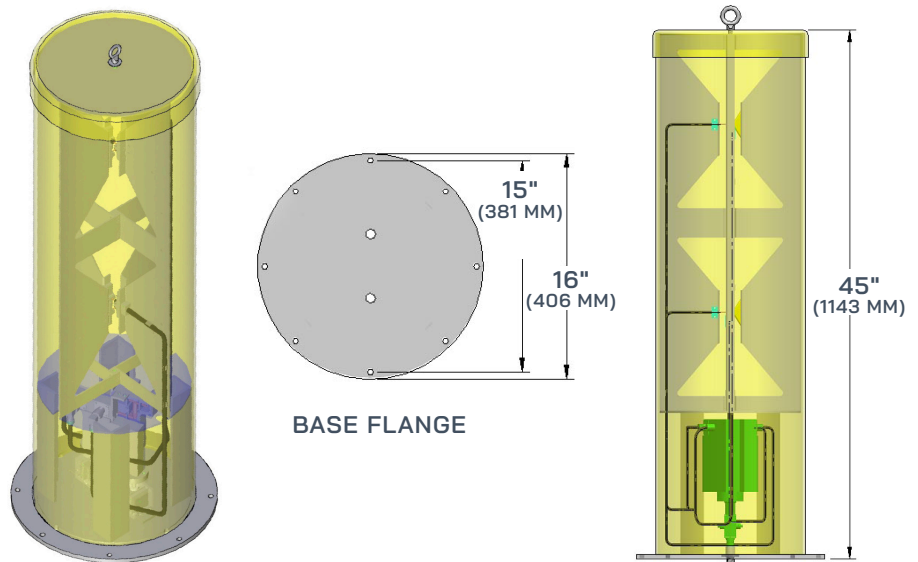
## Mechanical Specifications

Model	Height ft (m)	Weight lb (kg)	Windload <sup>1</sup> ft <sup>2</sup> (m <sup>2</sup> )
TFU-UT	3.74 (1.14)	55 (25)	3.2

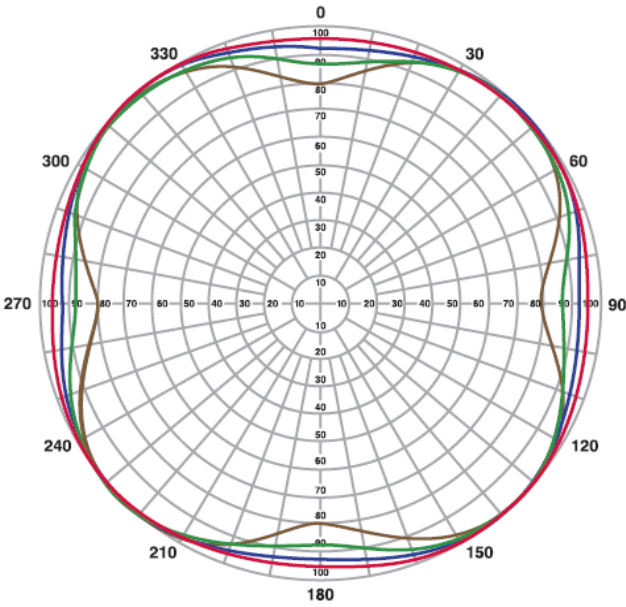
## Electrical Specifications

	VSWR	Input	Power Rating per Input	Gain
TFU-UT-1	1.2:1	7-16 DIN	1 kW	5 dBd

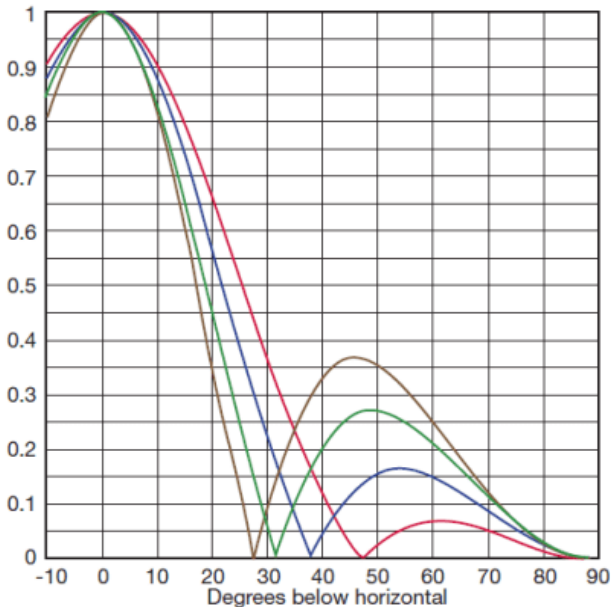
All specifications are subject to change.



# POWERLITE™ TFU-UT BOWTIE SLOT TURNSTILE ANTENNA



AZIMUTH PATTERN: 500, 600, 700, 800 MHz



ELEVATION PATTERN: 500, 600, 700, 800 MHz