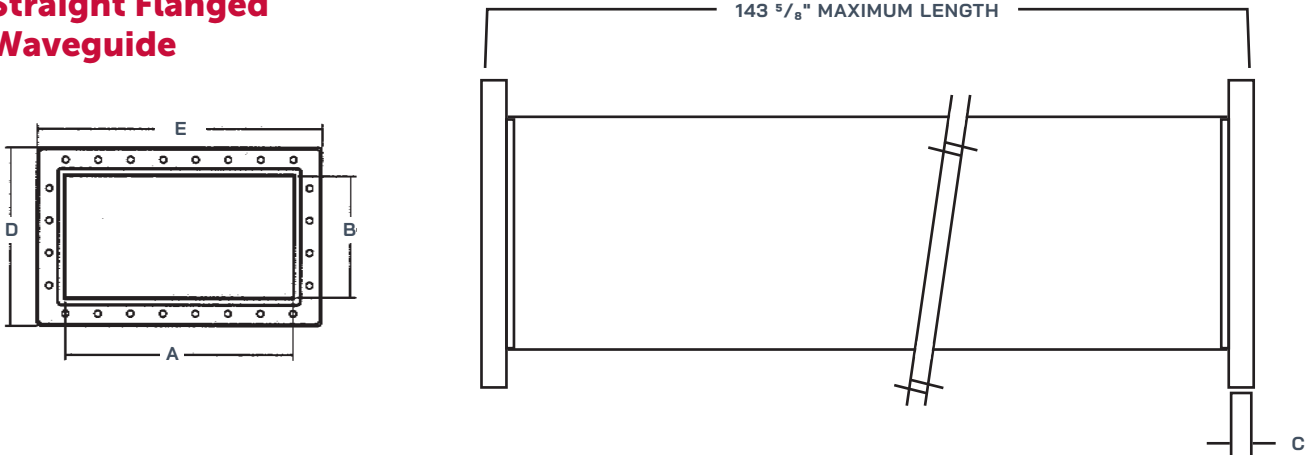


Straight Flanged Waveguide



Waveguide Size	Catalog Number	Freq. Range MHz	A	B	C	D	E	Wall Thickness	Max Pressure PSIG	Net Weight/Ft Unflanged
WR 1800	50013-10	410-620	18.00"	9.00"	5/8"	12.50"	21.50"	.190"	0.25	12 lbs
WR 1500	50014-10	490-750	15.00"	7.50"	5/8"	11.00"	18.50"	.125"	0.25	7 lbs
WR 1150	50015-10	640-960	11.50"	5.75"	5/8"	9.25"	15.00"	.125"	0.50	5 lbs

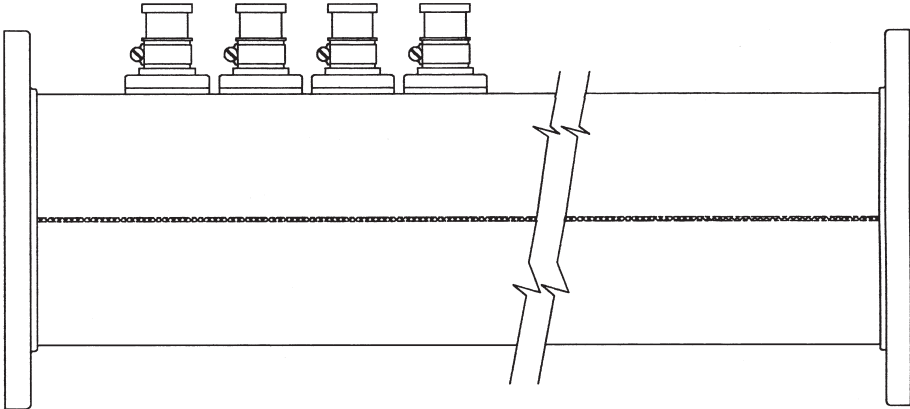
Note: Hardware kits are ordered separately.

VSWR Tuning Sections

As manufactured, Dielectric Waveguide has a VSWR of 1.1. With on-site tuning, a VSWR of 1.05 is obtainable.

Tuner sections are the same length as standard sections.

The use and quantity of tuning sections required will be determined at time of order.



Waveguide Size	Catalog Number
WR 1800	50013-21
WR 1500	50014-21
WR 1150	50015-21