

digiTLine 4 1/16"

- Transmission line with flanges on both ends. Includes expansion connector, O-ring, and hardware kit.
- 90° reinforced elbow, equal leg. Includes one anchor connector, one O-ring and one hardware kit. Swivel flanges.
- 90° reinforced elbow, unequal leg. Includes one anchor connector, one O-ring, and one hardware kit. Swivel flanges.

Transmission Line

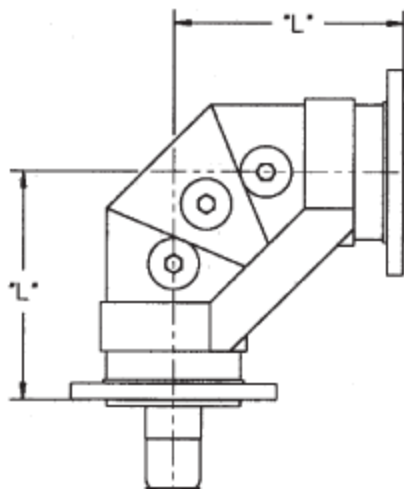
T/L Size	Catalog Number	Part Number	Impedance in Ohms	Leg Length 1	Leg Length 2	Approx. Wt. [kg]
4 1/16"	DL 45-004	R58836	50	N/A	N/A	110 lbs [49.9]

90° Elbow (Equal) Reinforced

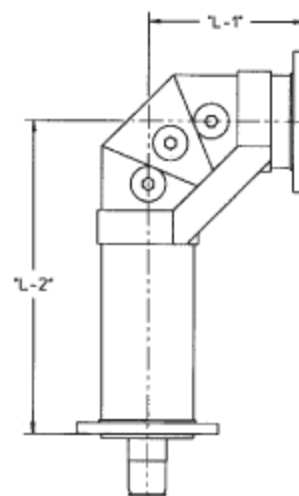
T/L Size	Catalog Number	Part Number	Impedance in Ohms	Leg Length 1	Leg Length 2	Approx. Wt. [kg]
4 1/16"	DL 45-021	R56354	50	7"	N/A	20 lbs [9.07]

90° Elbow (Unequal) Reinforced

T/L Size	Catalog Number	Part Number	Impedance in Ohms	Leg Length 1	Leg Length 2	Approx. Wt. [kg]
4 1/16"	DL 45-022	R72598	50	7"	14"	35 lbs [15.88]



Equal Leg Elbow Joint



Unequal Leg Elbow Joint