

digiTLine 6 1/8" 50 Ohms

- Transmission line with flanges on both ends. Includes expansion connector, O-ring, and hardware kit.
- 90° reinforced elbow, equal leg. Includes one anchor connector, one O-ring and one hardware kit. Swivel flanges.
- 90° reinforced elbow, unequal leg. Includes one anchor connector, one O-ring, and one hardware kit. Swivel flanges.

Transmission Line

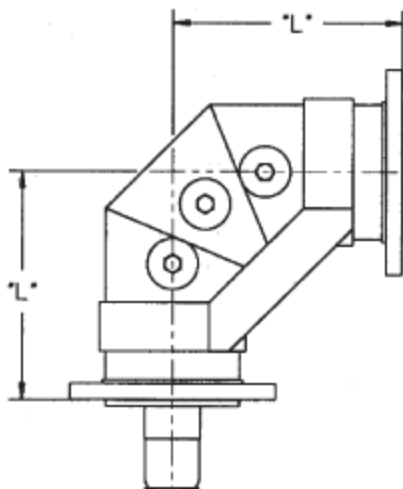
T/L Size	Catalog Number	Part Number	Impedance in Ohms	Leg Length 1	Leg Length 2	Approx. Wt. [kg]
6 1/8"	DL 65-004	R58913	50	N/A	N/A	145 lbs [65.77]

90° Elbow (Equal) Reinforced

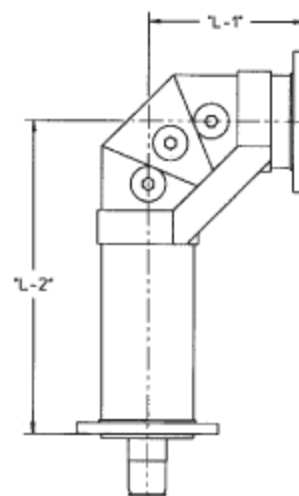
T/L Size	Catalog Number	Part Number	Impedance in Ohms	Leg Length 1	Leg Length 2	Approx. Wt. [kg]
6 1/8"	DL 65-021	R48574	50	9"	N/A	32 lbs [14.51]

90° Elbow (Unequal) Reinforced

T/L Size	Catalog Number	Part Number	Impedance in Ohms	Leg Length 1	Leg Length 2	Approx. Wt. [kg]
6 1/8"	DL 65-022	R70089	50	9"	18"	40 lbs [18.14]



Equal Leg Elbow Joint



Unequal Leg Elbow Joint