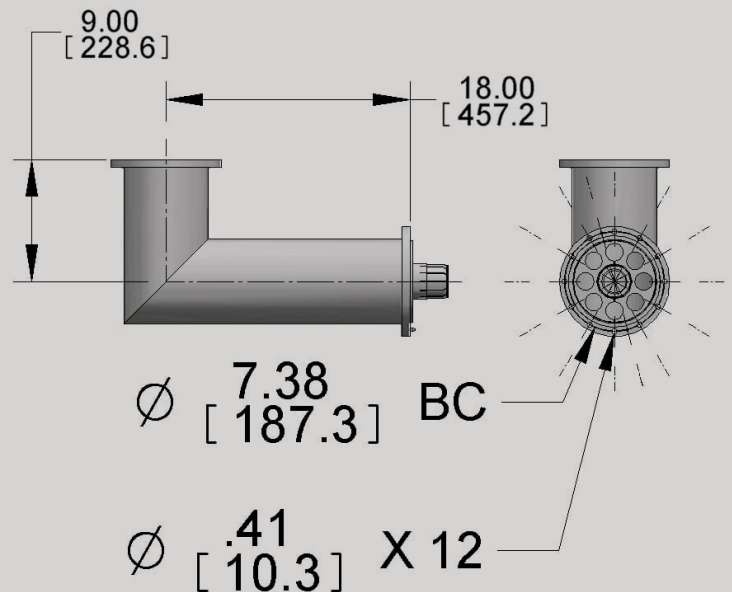
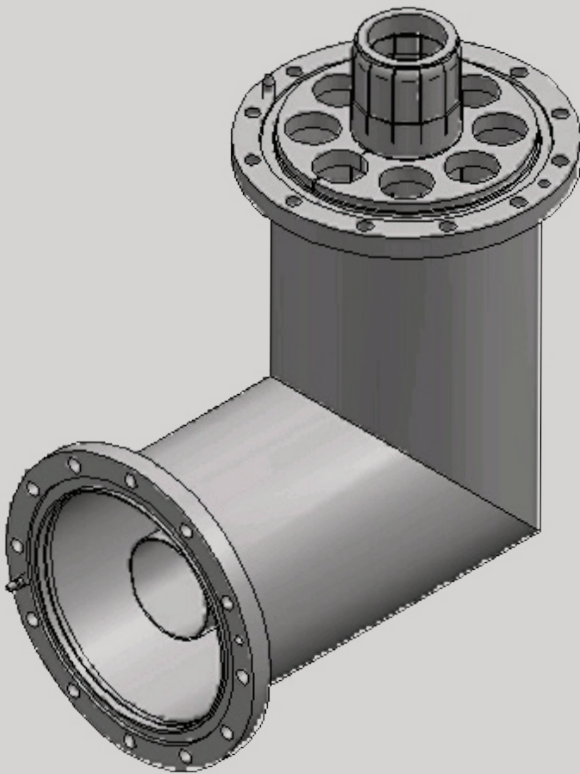


90° reinforced elbow, one long and one short leg. Includes one anchor connector, one O-ring and one hardware kit. Swivel flanges.

45° elbow, one long and one short leg. Includes one anchor connector, one O-ring and one hardware kit. Swivel flanges.



Trusted for Decades. Ready for Tomorrow.

90° Elbow (Unequal Leg)

T/L SIZE	Catalog Number	Impedance in Ohms	L1	L2	Approx. Wt.
1 5/8"	275-018	50	3"	6"	4.25 lbs

45° Mitre Elbows (Unequal Leg)

T/L SIZE	Catalog Number	Impedance in Ohms	L1	L2	Approx. Wt.
1 5/8"	275-020	50	2.5"	6"	4.25 lbs

90° Mitre Elbows (Equal Leg)

T/L SIZE	Catalog Number	Impedance in Ohms	L	Approx. Wt.
1 5/8"	275-017	50	3"	3 lbs