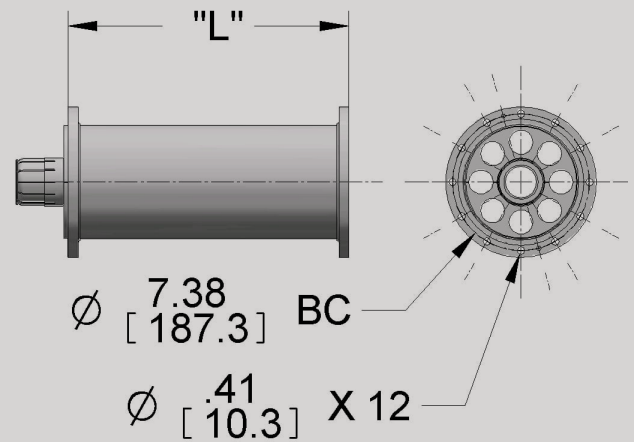


Transmission line with flanges on both ends. Includes one anchor connector, one O-ring and one hardware kit.



Without Expansion Compensation

T/L SIZE	Catalog Number	Impedance in Ohms	L	Approx. Wt.
1 5/8"	275-002	50	20'	27 lbs
1 5/8"	275-001	50	19.5'	26 lbs

Trusted for Decades. Ready for Tomorrow.