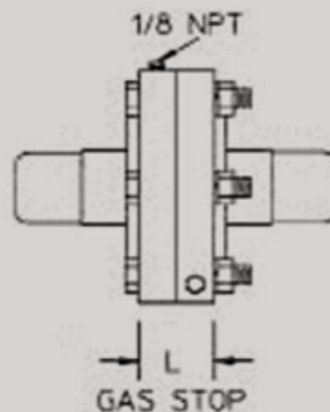
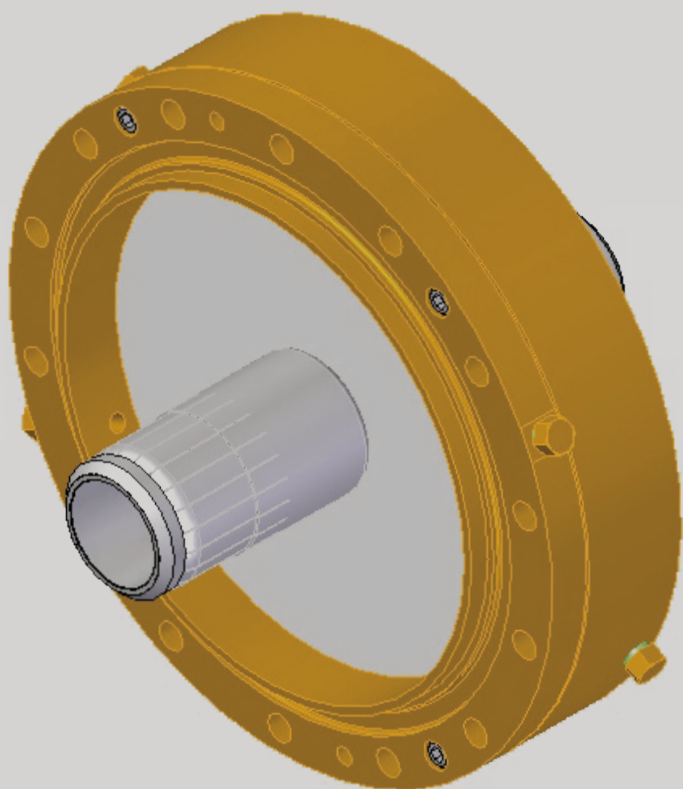


Gas stop for nominal pressure differential. Installs between two flanged line sections. Includes inner-conductor connector, one O-ring and complete hardware (long bolts).



T/L Size

Catalog Number

Impedance in Ohms

L1

Approx. Wt.

1 5/8"

275-005

50

0.88"

4 lbs

Trusted for Decades. Ready for Tomorrow.