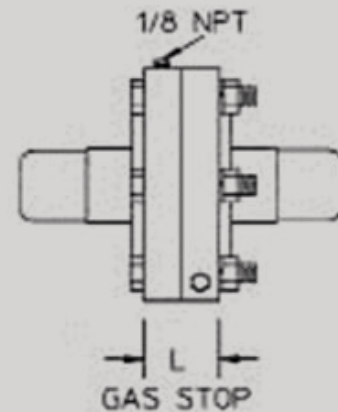
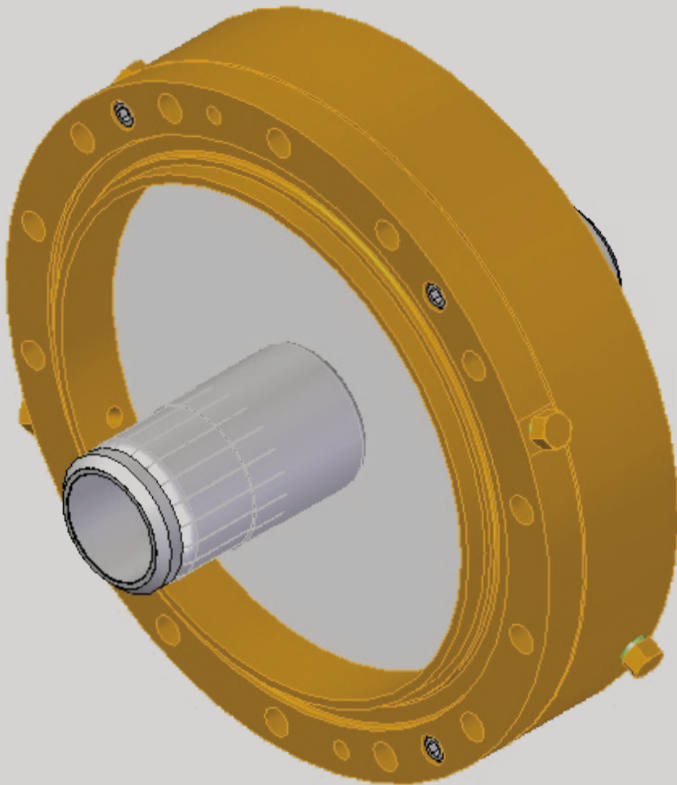


Gas stop for nominal pressure differential. Installs between two flanged line sections. Includes inner-conductor connector, one O-ring and complete hardware (long bolts).



T/L Size

Catalog Number

Impedance in Ohms

L1

Approx. Wt.

3 1/8"

375-005

50

1.50"

7 lbs

Trusted for Decades. Ready for Tomorrow.

22 Tower Rd., Raymond, ME 04071 USA • 1-800-341-9678 • Dielectric.com