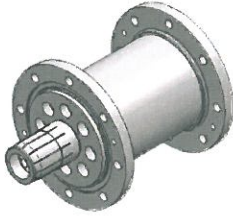


## 4 1/16" Straight Sections Fixed Flange



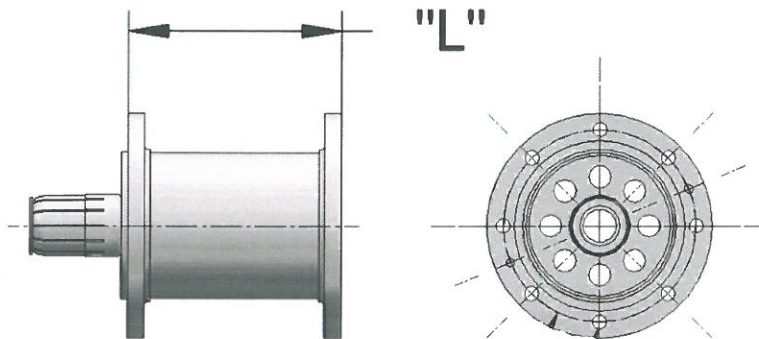
- Transmission line with flanges on both ends. Includes one anchor connector, one O-ring, and one hardware kit.

### With Expansion Inner Connector

T/L Size	Catalog Number	Part Number	Impedance in Ohms	L	Approx. Wt. [kg]
4 1/16"	475-004	R58762	50	20'	110 lbs [49.9]
4 1/16"	475-003	R58763	50	19.5'	100 lbs [45.36]
4 1/16"	475-175	R75500	50	17.5'	

### Without Expansion Compensation

T/L Size	Catalog Number	Part Number	Impedance in Ohms	L	Approx. Wt. [kg]
4 1/16"	475-002	R45557	50	20'	110 lbs [49.9]



[cm]