



6 1/8" 50 Ohms Straight Sections Fixed Flange

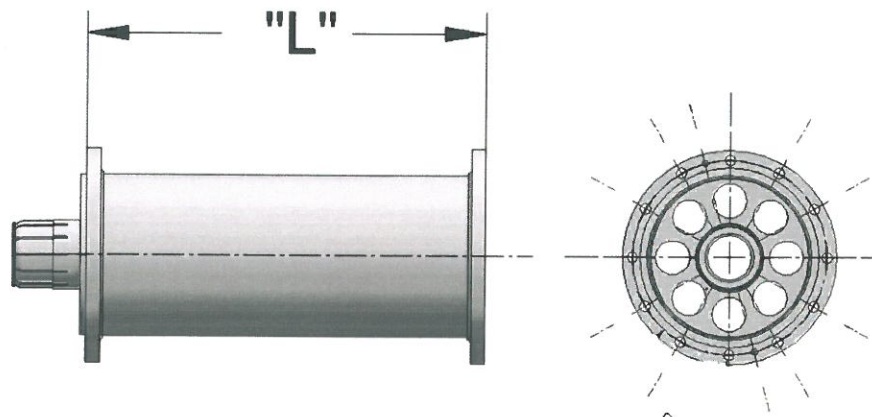
- Transmission line with flanges on both ends. Includes one anchor connector, one O-ring, and one hardware kit.

With Expansion Inner Conductor

T/L Size	Catalog Number	Part Number	Impedance in Ohms	L	Approx. Wt. [kg]
6 1/8"	675-004	R58915	50	20'	145 lbs [65.77]
6 1/8"	675-003	R58916	50	19.5'	135 lbs [61.23]

Without Expansion Compensation

T/L Size	Catalog Number	Part Number	Impedance in Ohms	L	Approx. Wt. [kg]
6 1/8"	675-002	R45553	50	20'	110 lbs [49.9]
6 1/8"	675-001	Contact Factory	50	19.5'	100 lbs [45.36]



[cm]