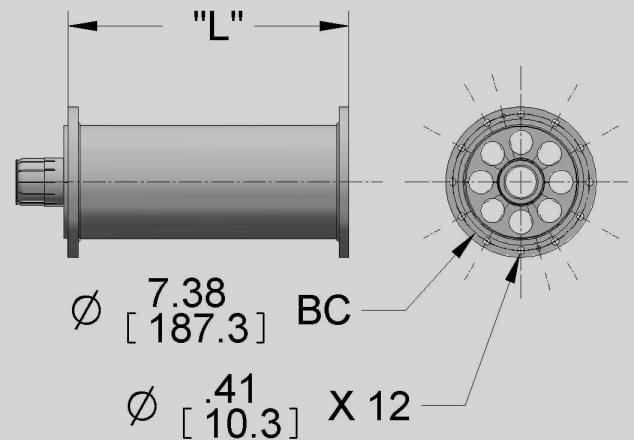


Transmission line with flanges on both ends. Includes one anchor connector, one O-ring and one hardware kit.



With Expansion Inner Conductor

T/L SIZE	Catalog Number	Impedance in Ohms	L	Approx. Wt.
6 1/8"	675-004	50	20'	145 lbs
6 1/8"	675-003	50	19.5'	135 lbs

Without Expansion Compensation

T/L SIZE	Catalog Number	Impedance in Ohms	L	Approx. Wt.
6 1/8"	675-002	50	20'	145 lbs
6 1/8"	675-001	50	19.5'	135 lbs

Trusted for Decades. Ready for Tomorrow.