



The TFU-WB LP Series antenna is a new addition to the Powerlite™ portfolio. It is designed as a broadband, low-cost, low-windload alternative to UHF panel antennas.

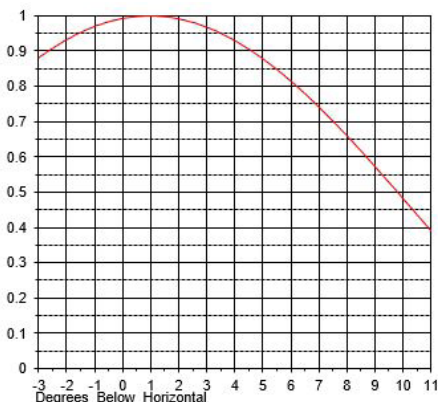
DIELECTRIC ADVANTAGES

- Broadband: Channels 14-51
- Economical alternative to panel antennas
- Low weight and 75% less windload than panels
- Input powers up to 5 kW
- Includes standard mounting brackets
- Quick delivery
- Available in HPOL or EPOL
- Designed for side mounting on existing structures
- Stripline slot design
- 4, 8 and 16 bays
- Multiple azimuth patterns

SPECIFICATIONS

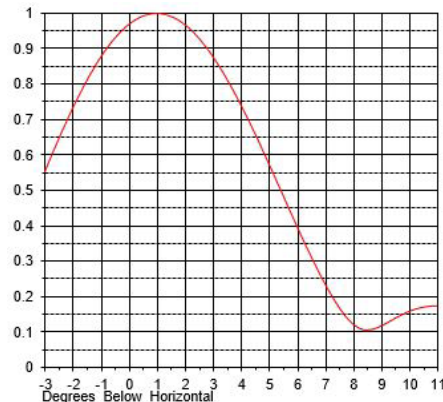
- **Polarization:** Horizontal or Elliptical
- **Input Size:** 1 5/8" EIA
- **VSWR (Max 470-698 MHz):** < 1.15:1
- **Max Input Power:** 2.5 kW per 4 bay section
- **Max Input Power:** 5.0 kW per 8 bay section
- **Azimuth Directivity:** See sheet 2
- **Weight:** 240 lbs per 4 bay / 400 lbs per 8 bay
- **Height:** 7.4 ft per 4 bay / 14.4 ft per 8 bay / 21.6 ft per 16 bay
- **EPA:** 11.0 ft² per 4 bay / 20.8 ft² (Using G-Code: BWS: 90mph, Structure Class: II, Exp. Cat: C, Topo. Cat: 1)

TFU-WB LP-4



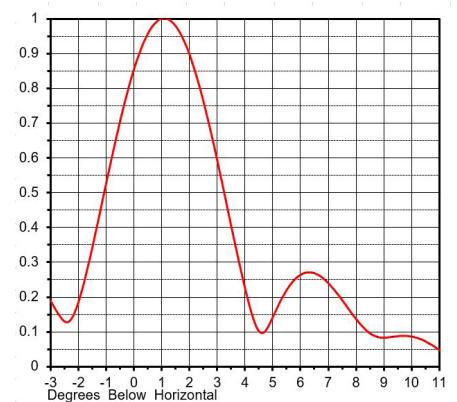
RMS GAIN 3.5
BEAM TILT 1.0 DEG

TFU-WB LP-8



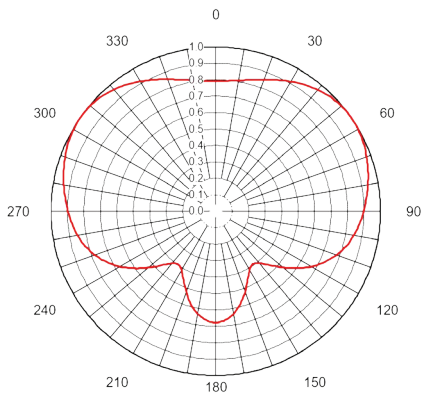
RMS GAIN 8.0
BEAM TILT 1.0 DEG

TFU-WB LP-16



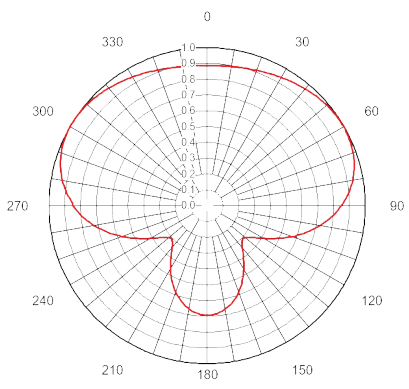
RMS GAIN 17.0
BEAM TILT 1.0 DEG

C160



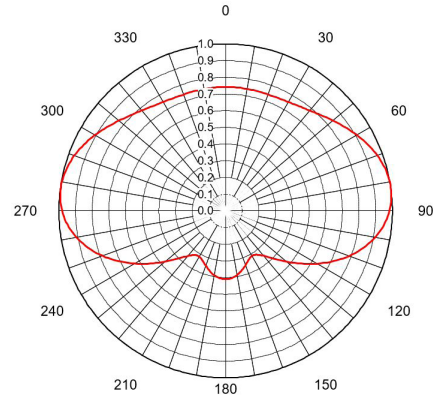
AZ GAIN 1.58 (1.99 dB)

C170



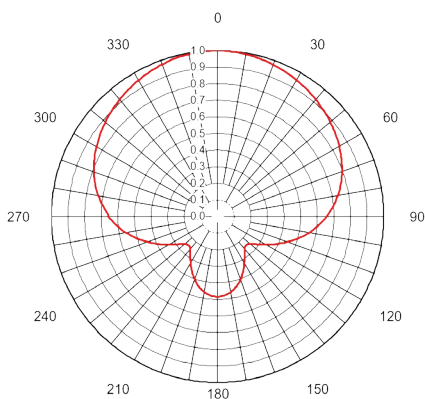
AZ GAIN 1.66 (1.99 dB)

C190



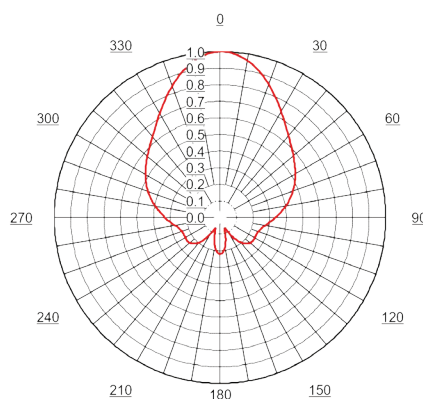
AZ GAIN 1.87 (2.71 dB)

S230



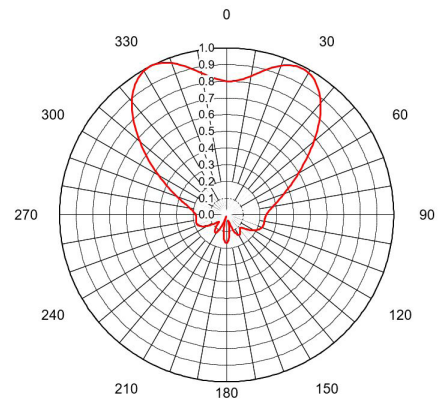
AZ GAIN 2.09 (3.19 dB)

S380



AZ GAIN 3.97 (5.99 dB)

DUCKFOOT



AZ GAIN 3.74 (5.73 dB)