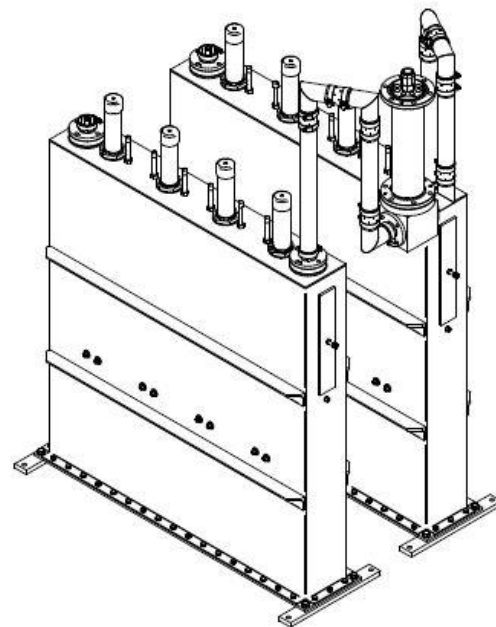


## Data for Model DCF-0600-4T-2 Two-Station Tee Combiners

### Performance Specifications:

Specification	6" Cavity
	4-Pole
Passband	+/- 200kHz
VSWR	< 1.10
Typical Insertion Loss*	
$f_0$	.68dB
+/- 200kHz	.85dB
Typical Group Delay**	
+/- 200kHz	350ns
Typical Isolation Between Inputs	
800kHz CH Spacing	36dB
1.8MHz CH Spacing	40dB
Max Input Power	1.3kW

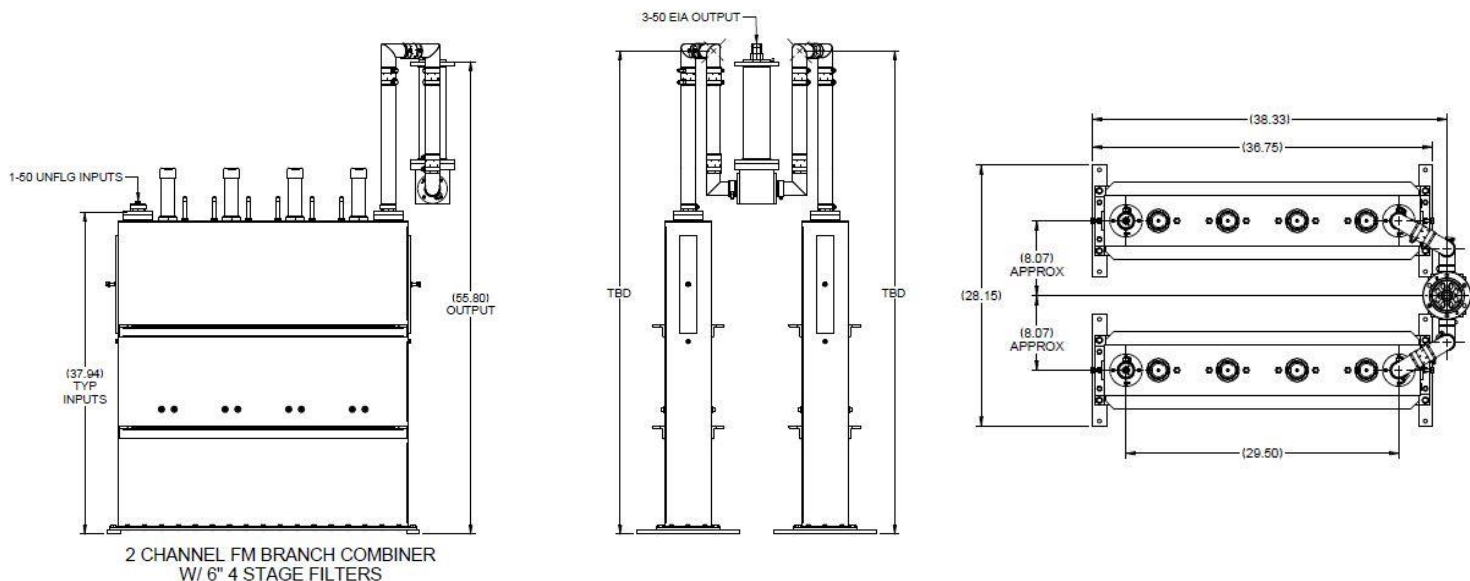


Note: Tee configurations available for 2 channel Systems.

\* Filter loss is specified for tight channel spacing at 108MHz and is the filter only, add .08dB per channel in combiner. Loss improves approximate .05dB for greater CH spacings and lower frequencies.

\*\* Delay variation based on 800kHz CH spacing for 4-pole filter.

### Dimensions:



\*Dimensions will vary based on channel of use.

Specifications subject to change. 2/19/21