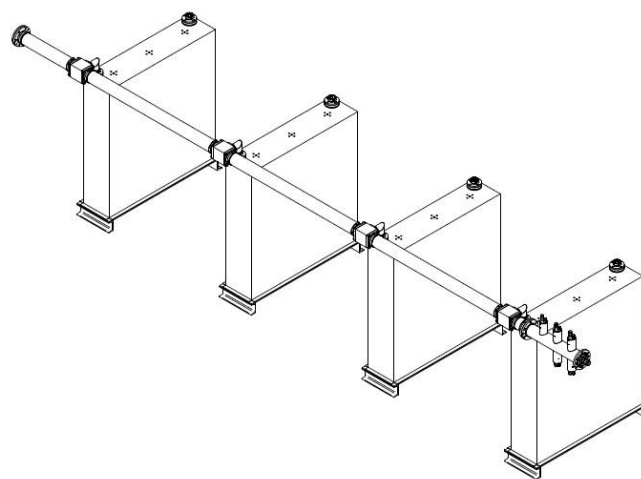


Data for Models DFC-0800-3M-4 and DFC-0800-4M-4 Four-Station Branched Combiners

Performance Specifications:

Specification	8" Cavity	
	3-Pole	4-Pole
Passband	+/- 200kHz	
VSWR	< 1.10	
Typical Insertion Loss*		
f_o	.35dB	.55dB
+/- 150kHz	.37dB	.65dB
+/- 200kHz	.40dB	.75dB
Typical Group Delay**		
+/- 150kHz	50ns	200ns
+/- 200kHz	120ns	450ns
Typical Isolation Between Inputs		
800kHz CH Spacing	N/A	36dB
1.8MHz CH Spacing	36dB	40dB
Max Input Power	6kW	5kW

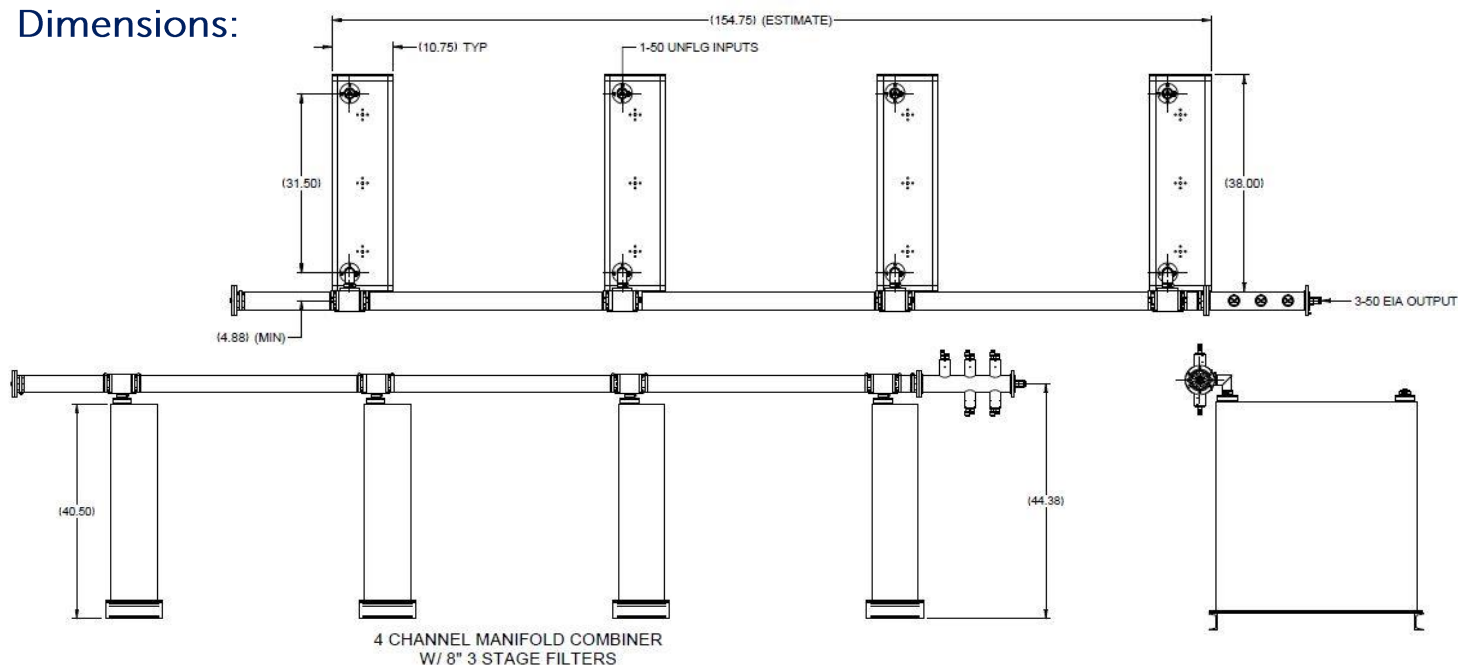


Note: Layout can be reconfigured based on space availability.

* Filter loss is specified for tight channel spacing at 108MHz and is the filter only, add .08dB per channel in combiner. Loss improves approximate .05dB for greater CH spacings and lower frequencies.

** Delay variation based on 800kHz CH spacing for 4-pole filter and 1.8MHz spacing for 3-pole filter.

Dimensions:



*Dimensions will vary based on channel of use.

Specifications subject to change. 9/2/20